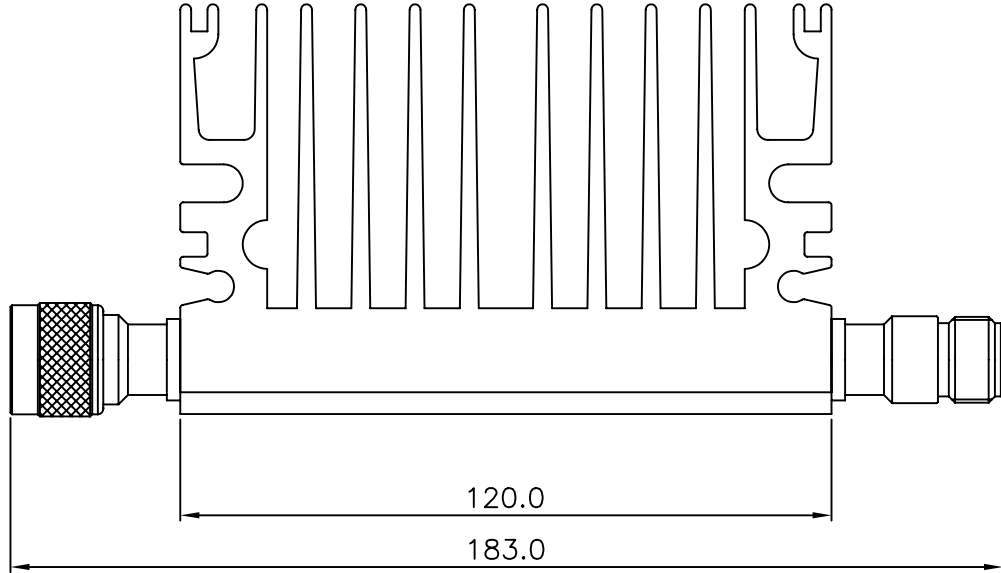
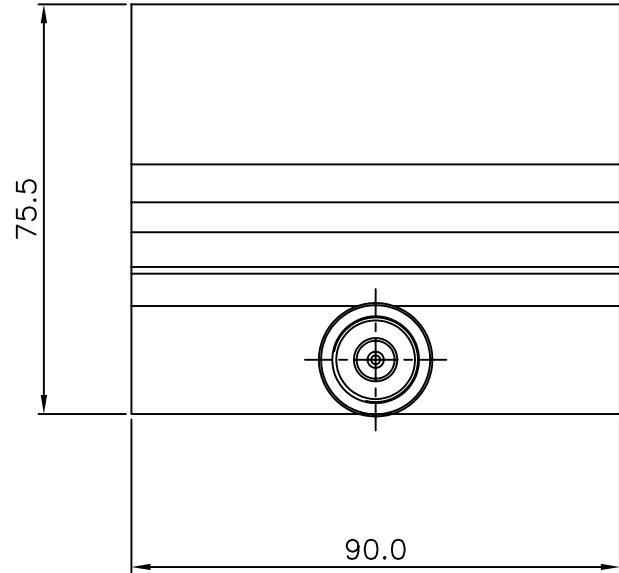


Revision						
ISSUE	Mark	Contents	Design	Check	Appro	DATE
1.0		xx → xx				2003. 12. 03



ELECTRICAL SPECIFICATIONS

- 1. Frequency Range (MHz) DC to 3 Ghz
- 2. Impedance (Nominal) 50 Ohms
- 3. V.S.W.R (Max.) 1.25
- 4. Attenuation 3, 6, 10, 20, 30dB
- 5. Accuracy ± 1.0dB
- 4. Power Rating AVG. 50 watt

MECHANICAL SPECIFICATIONS

- 1. Connector Body : Brass
SuCo Plated
- 2. Connector Contact : Brass
Gold Plated
- 3. Housing : Aluminum
Black Anodized

No.	Description	Code	Q'ty	Material	Finish
Specified Tolerance		Mat'l	AL6061		
0.	±0.3	Finish	CROSS RF SOLUTIONS Model HIGH POWER ATTENUATOR Title N PLUG-JACK (50watt)		
.0	±0.1	Design			
.00	±0.05				Mod.No.
ANG.	±0°30'				Part No.
Scale	Unit	Proj	Size		
2/1	mm		A3	040213	FA-N50