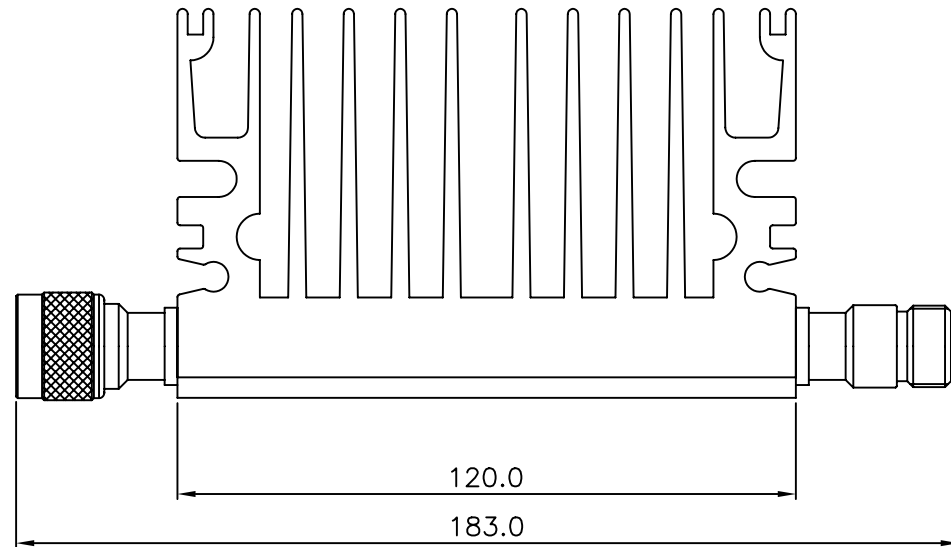
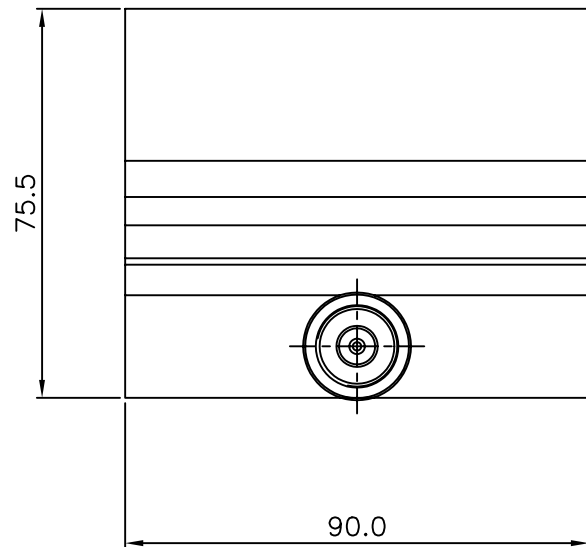


Revision						
ISSUE	Mark	Contents	Design	Check	Appro	DATE
1.0	▲	xx → xx				2006. 12. 03



**ELECTRICAL SPECIFICATIONS**

- |                          |                   |
|--------------------------|-------------------|
| 1. Frequency Range (MHz) | DC to 3 Ghz       |
| 2. Impedance (Nominal)   | 50 Ohms           |
| 3. V.S.W.R (Max.)        | 1.25              |
| 4. Attenuation           | 10, 20, 30, 40 dB |
| 5. Accuracy              | ± 1.0dB           |
| 4. Power Rating          | AVG. 80 watt      |

**MECHANICAL SPECIFICATIONS**

- Connector Body : Brass  
SuCo Plated
- Connector Contact : Brass  
Gold Plated
- Housing : Aluminum  
Black Anodized

No.	Description	Code	Q'ty	Material	Finish	
Specified Tolerance		Mat'l	AL6061			
0.	±0.3	Finish	CROSS RF SOLUTIONS			
.0	±0.1					
.00	±0.05					
ANG.	±0°30'	Design	Check	Appro	Model	HIGH POWER ATTENUATOR
Scale	Unit	Proj	Size	Title		N PLUG-JACK (80watt)
1/1	mm	⊕	A4	Mod.No.		
				070213	Part No.	FA-N80